

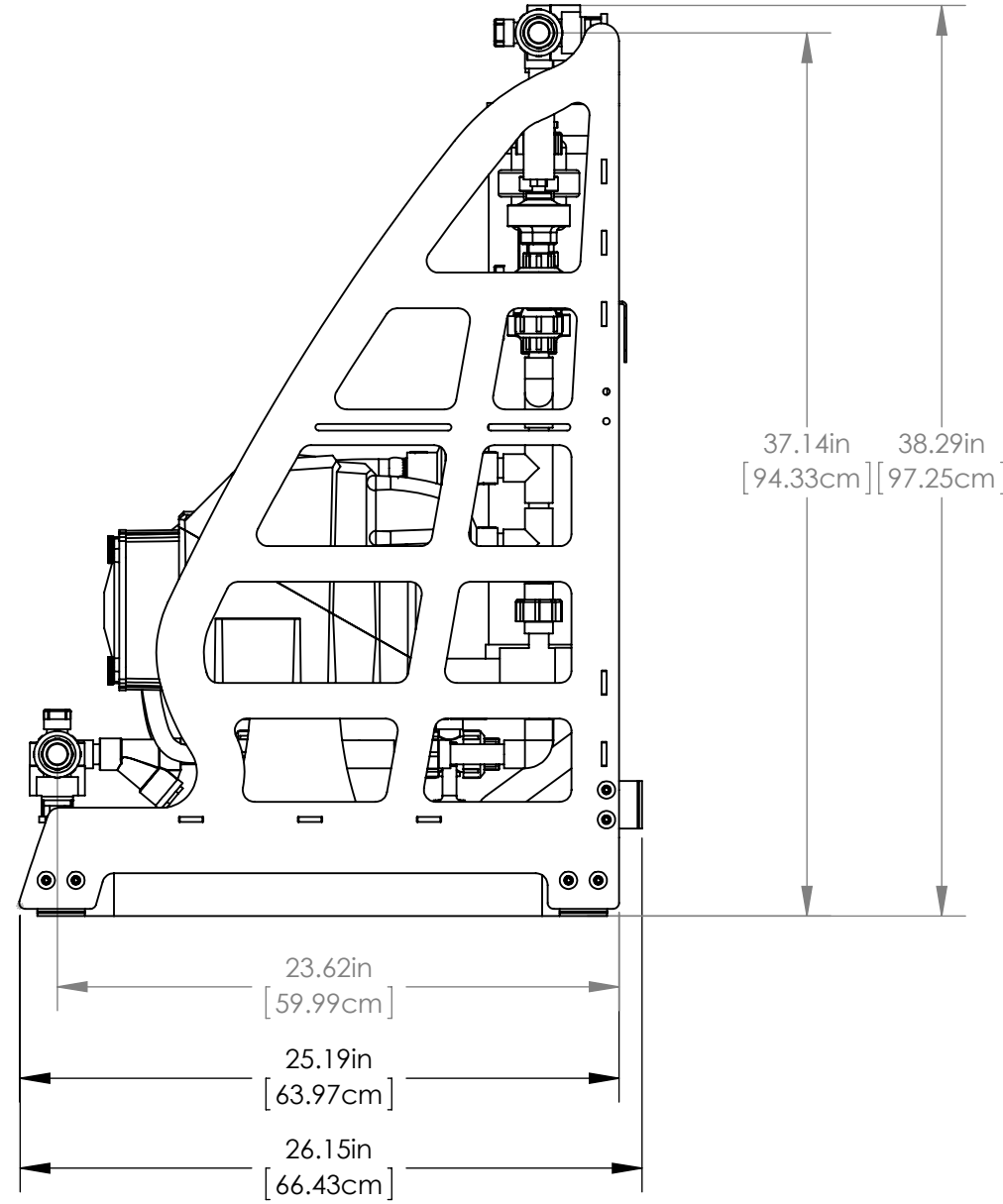
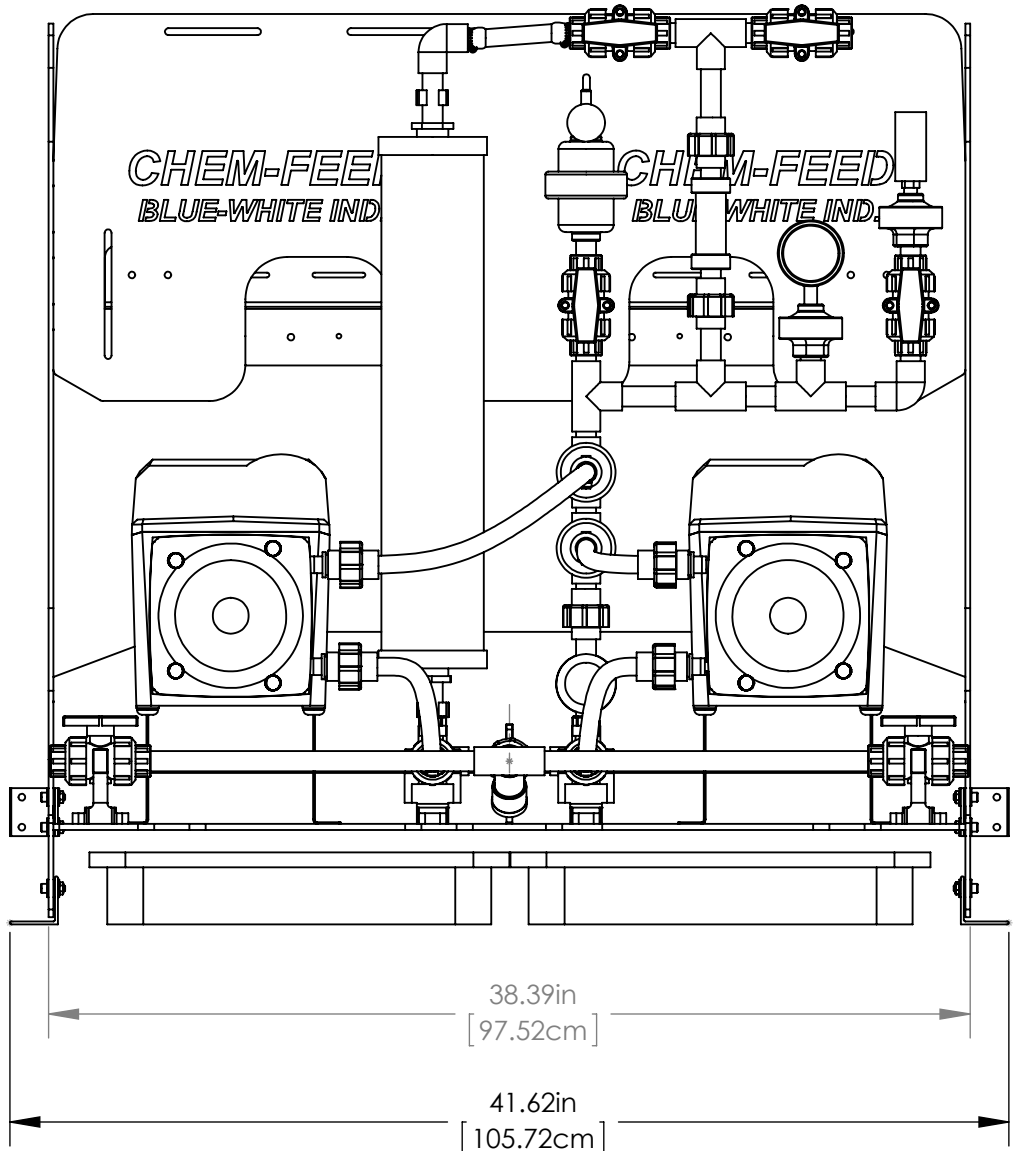
8 7 6 5 4 3 2 1

GEN NOTES:

- 1.
- 2.
- 3.

REVISIONS				
ZONE	REV.	DESCRIPTION	DATE	APPROVED

D
C
B
A



D
C
B
A

UNLESS OTHERWISE SPECIFIED:
 DIMENSIONS ARE IN INCHES
 ALL ANGLES 45°
 TOLERANCES:
 FRACTIONAL ±1/64
 ANGULAR: MACH ±1° BEND ±1°
 TWO PLACE DECIMAL ±.010
 THREE PLACE DECIMAL ±.005

	NAME	DATE
DRAWN	Patrick M.	10/12/2011
CHECKED		
ENG APPR.		
MFG APPR.		
Q.A.		
COMMENTS:		

BLUE-WHITE INDUSTRIES
 5300 BUSINESS DRIVE HUNTINGTON BEACH CA, 92649

TITLE:
 Dual Skid with M-3 Pumps

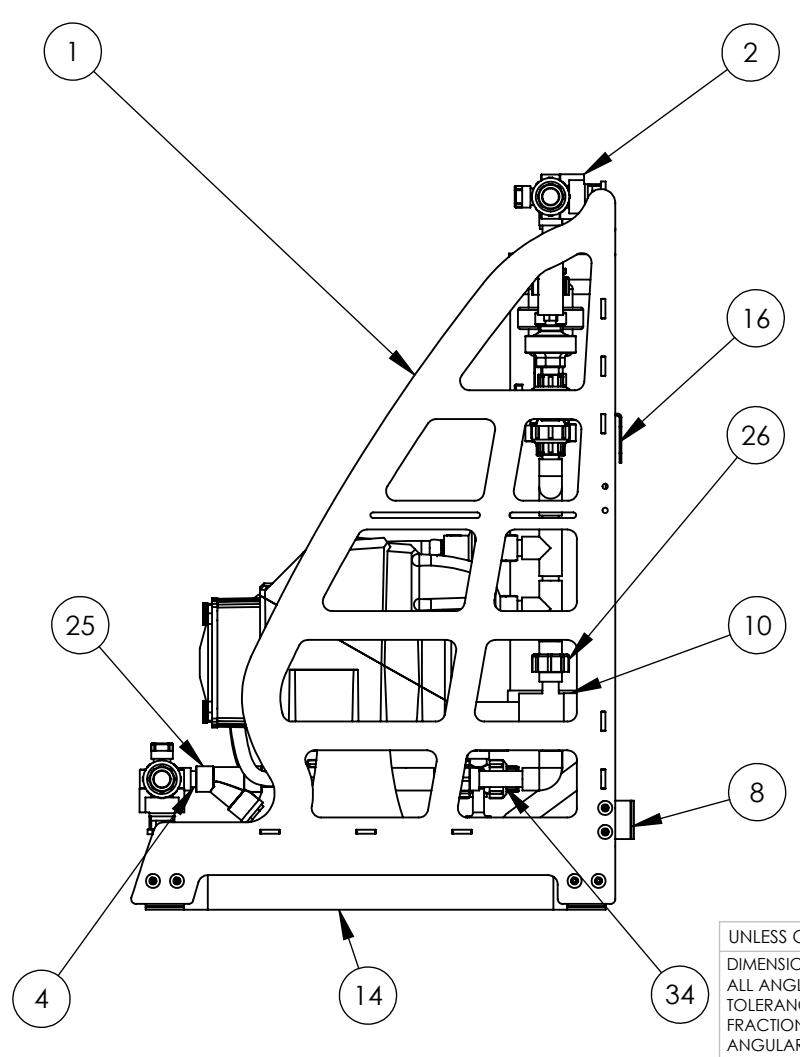
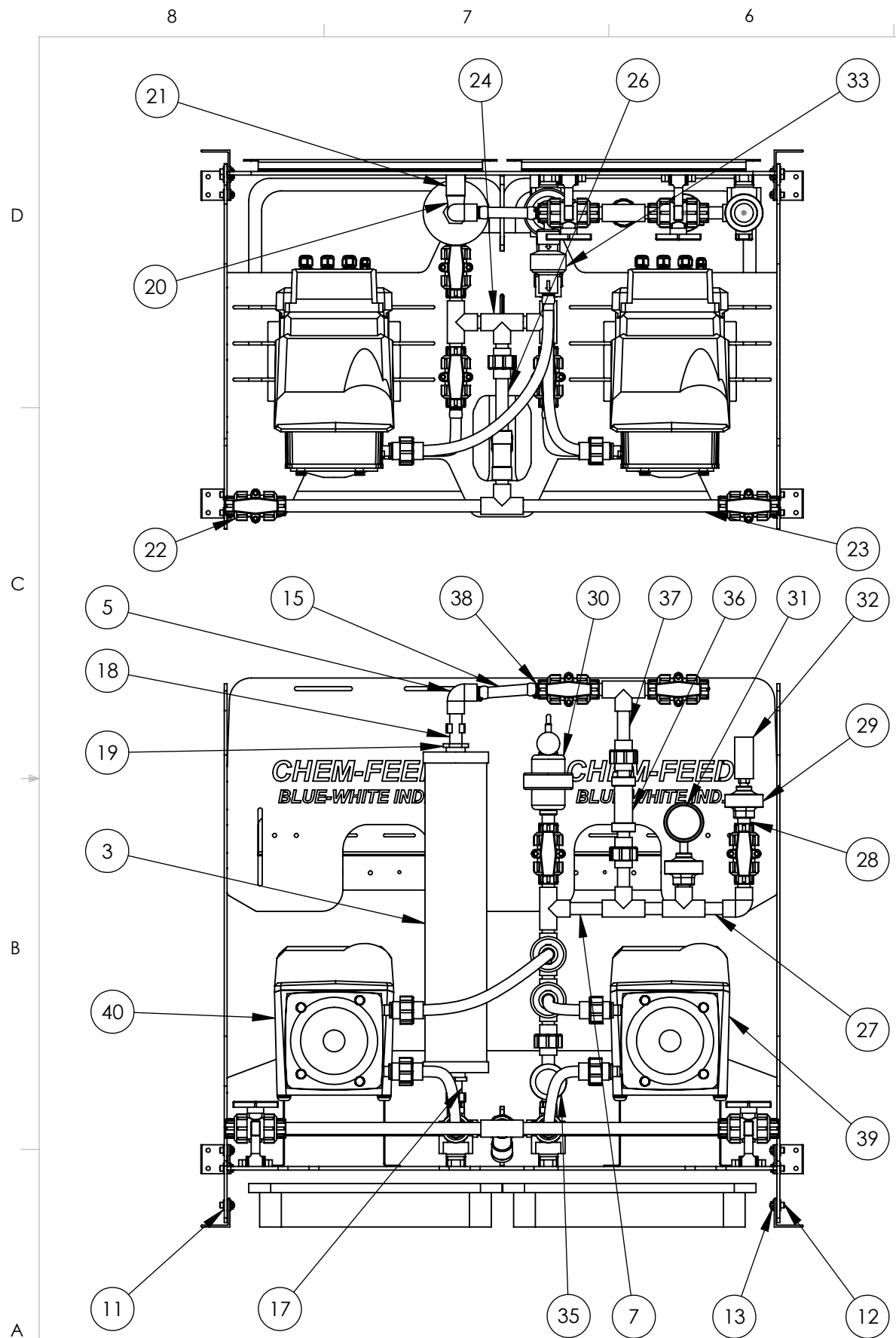
SIZE	DWG. NO.	REV
B	Dual Skid with M3	-

SCALE: 1:8 WEIGHT: SHEET 1 OF 2

PROPRIETARY AND CONFIDENTIAL
 THE INFORMATION CONTAINED IN THIS DRAWING IS THE SOLE PROPERTY OF **BLUE-WHITE INDUSTRIES**. ANY REPRODUCTION IN PART OR AS A WHOLE WITHOUT THE WRITTEN PERMISSION OF **BLUE-WHITE INDUSTRIES** IS PROHIBITED.

APPLICATION	DO NOT SCALE DRAWING
NEXT ASSY	USED ON

8 7 6 5 4 3 2 1



ITEM NO.	DESCRIPTION	QTY.
1	Dual Skid Frame	1
2	Skid System Stand Off	9
3	4000ml/min Calibration Column	1
4	Sch 80 2 inch length	21
5	Sch 80 Elbow	7
6	Sch 80 Slip to Barb, Custom	8
7	Sch 80 4 inch length	1
8	Angle Iron to secure skid to wall or a solid floor	10
9	1/2" Sch80, 5in long	1
10	PRV Standoff	1
11	Flat Washer Type b	36
12	Socket Head Cap Screw	12
13	Hex Jam Nut	12
14	Containment Tray	2
15	1/2" Tubing	5
16	Skid Wall Mount Bracket	4
17	.5in Sch 80 3.25 Inch Thrd Toe	1
18	.5in Sch 80 3.5 Inch Thrd Toe	1
19	1" MPT to .5" FPT Bushing	2
20	Pipe Clamp	2
21	Skid Spacer	2
22	1/2" Ball Valve, Plast-O-Matic	9
23	1/2" Sch80, 15.25in long	2
24	.5in Sch 80 TEE	10
25	.5in Sch 80 Y Strainer	1
26	Sch 80 Union Slip	9
26	.5" Sch80 PVC Pipe 5.25" Length	1
27	Sch 80 3 inch length	3
28	.5in Sch80 2 inch Thrd Toe	5
29	Gauge Guard	2
30	Pulse Dampener	1
31	200psi Pressure Gauge	1
32	Pressure Switch	1
33	Check Valve, Plastomatic	2
34	.5in Sch80 3.9375 Length	1
35	PRV max 100 PSI	1
36	Flow Indicator	1
37	Sch 80 3 inch length	1
38	Tube Clamp #10	6
39	M-3 with Left Side Facing Pump Head	1
40	M-3 with Right Side Facing Pump Head	1

PROPRIETARY AND CONFIDENTIAL
 THE INFORMATION CONTAINED IN THIS DRAWING IS THE SOLE PROPERTY OF BLUE-WHITE INDUSTRIES. ANY REPRODUCTION IN PART OR AS A WHOLE WITHOUT THE WRITTEN PERMISSION OF BLUE-WHITE INDUSTRIES IS PROHIBITED.

UNLESS OTHERWISE SPECIFIED: DIMENSIONS ARE IN INCHES ALL ANGLES 45° TOLERANCES: FRACTIONAL ±1/64 ANGULAR: MACH ±1° BEND ±1° TWO PLACE DECIMAL ±.010 THREE PLACE DECIMAL ±.005	INTERPRET GEOMETRIC TOLERANCING PER:
MATERIAL	FINISH
DO NOT SCALE DRAWING	

NAME	DATE
DRAWN Patrick M.	10/12/2011
CHECKED	
ENG APPR.	
MFG APPR.	
Q.A.	
COMMENTS:	

BLUE-WHITE INDUSTRIES
 5300 BUSINESS DRIVE HUNTINGTON BEACH CA, 92649

TITLE:
Dual Skid with M-3 Pumps

SIZE DWG. NO. REV
B Dual Skid with M-3

SCALE: 1:10 WEIGHT: SHEET 2 OF 2