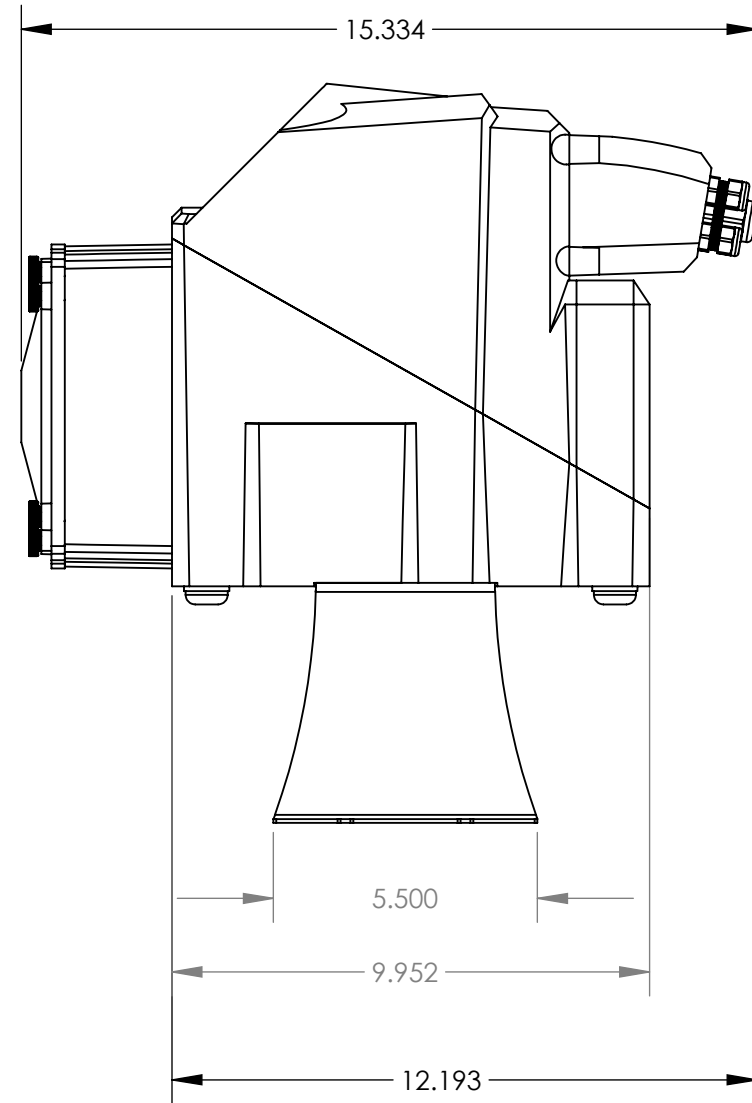
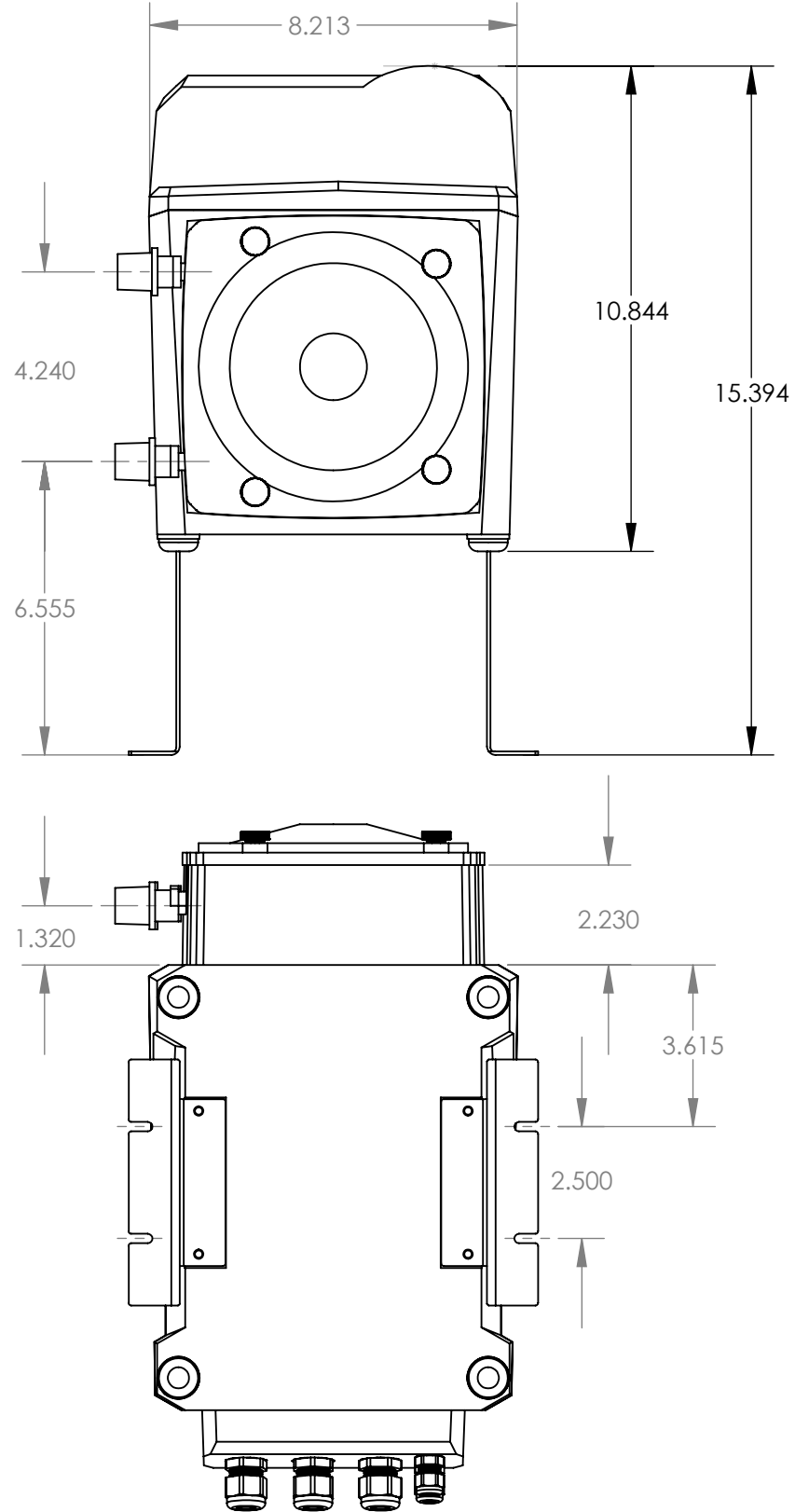


GEN NOTES:
 1.
 2.
 3.



REVISIONS				
ZONE	REV.	DESCRIPTION	DATE	APPROVED

UNLESS OTHERWISE SPECIFIED:
 DIMENSIONS ARE IN INCHES
 ALL ANGLES 45°
 TOLERANCES:
 FRACTIONAL ±1/64
 ANGULAR: MACH ±1° BEND ±1°
 TWO PLACE DECIMAL ±.010
 THREE PLACE DECIMAL ±.005

	NAME	DATE
DRAWN	Patrick M.	9/29/2011
CHECKED		
ENG APPR.		
MFG APPR.		
Q.A.		
COMMENTS:		

BLUE-WHITE INDUSTRIES
 5300 BUSINESS DRIVE HUNTINGTON BEACH CA, 92649

TITLE:
 M-3 Assembly
 Extended Brackets

SIZE **B** DWG. NO. M-3 Assembly
 Extended Brackets REV

SCALE: 1:4 WEIGHT: 76.04 SHEET 1 OF 1

PROPRIETARY AND CONFIDENTIAL
 THE INFORMATION CONTAINED IN THIS DRAWING
 IS THE SOLE PROPERTY OF **BLUE-WHITE INDUSTRIES**.
 ANY REPRODUCTION IN PART OR AS A WHOLE WITHOUT
 THE WRITTEN PERMISSION OF **BLUE-WHITE INDUSTRIES**
 IS PROHIBITED.

APPLICATION	USED ON	FINISH

DO NOT SCALE DRAWING